



Nano Environmental Technology

SIL2



The Reliable Alternative in Gas Sensing Elements

# CYBER 4-20mA

## Smart gas sensing transmitters

### Features



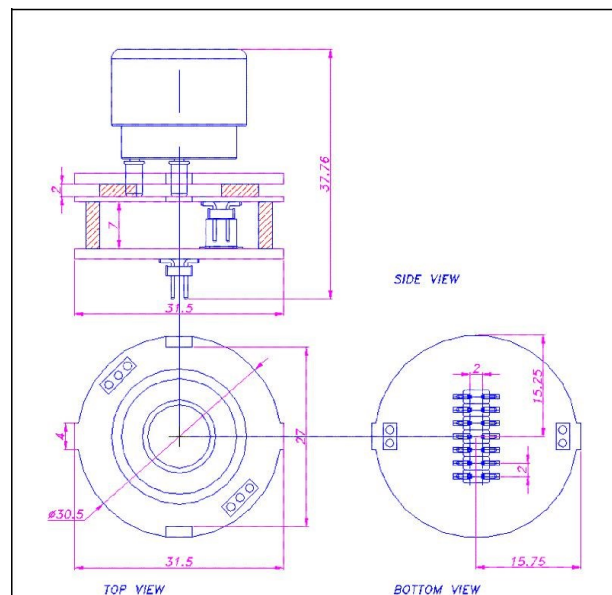
- 4-20mA output
- RS485 (MODBUS Protocol)
- Compatible with all 4 series E.C sensors
- Supplied complete with sensor, configured and pre-calibrated. Special ranges supplied on request.
- 3 Local Threshold alarm outputs
- Watchdog and Local Fault Outputs
- Simple Calibration in the field

### Description

**CYBER®** is a microprocessor driven PCB designed to accommodate a range of gas sensing devices, greatly simplifying the use gas sensors by general remote sensor monitoring systems and Specialist Gas Detection systems alike. The device can drive and process the signals from the majority of Catalytic and Electrochemical Sensor range. Supplied as a PCB/sensor combination package, CYBER® may be configured for other sensor combinations on request

### Mechanical characteristics

Example of CYBER 4-20mA boards with NT-CO, NT-H2S or NT-NH3 Electrochemical Toxic Gas Sensor



## Specifications

<b>Sensing Elements</b>	All E.C Safety and Premium Line, Catalytic and Infrared sensors, Other sensors on request
<b>Accuracy</b>	Digital measure: ±5% F.S. Digital to Analogue error: ±3% F.S
<b>Analogue Output</b>	4 - 20 mA
<b>Signal Outputs</b>	3 Threshold Alarms Fault Alarm Watchdog
<b>Digital Input/Output</b>	RS485
<b>Power supply</b>	10-30Vdc Nominal 12V or 24V
<b>Current consumption @12V</b> <b>@24V</b>	Examples (average) 28 mA with NT-CO 80 mA with NP-17SHM 26 mA with NT-CO 50 mA with NP-17SHM
<b>Analog Resolution</b>	62uA
<b>Range *</b>	Depending by the sensor
<b>Response time</b>	Depending by the sensor
<b>Temperature Range</b>	Depending by the sensor
<b>Humidity Range</b>	20-90% RH, Non condensing
<b>Pressure Range</b>	90-110 KPa
<b>Calibration</b>	Digitally, Via RS485 Interface or with optional portable calibration unit

## Ordering details

- CY - **AFL** - Catalytic sensor part no. ← (eg: NP-30SHM )  
 ↑  
 Cyber 4-20mA module to be used with standard pellistor
- CY - **ATX** - Electrochemical sensor part no. ← (eg: NT-NO2-PL05)  
 ↑  
 Cyber 4-20mA module to be used with electrochemical sensor
- CY - **AO2** - Oxygen sensor part no. ← (eg: NT-O2-A3 )  
 ↑  
 Cyber 4-20mA module to be used with Oxygen sensor range 0-25%
- CY - **AIN** - InfraRed sensor part no. ← (eg: INP-CO2P-NCVSN )  
 ↑  
 Cyber 4-20mA module to be used with NDIR sensor for hydrocarbons or CO2

\* LEL for methane is considered to be 5 %Vol, while for propane is considered to be 2,1%Vol.

*N.E.T. has a policy of continuous development and improvement of its products. As such the specification for*

**N.E.T.** S.r.l. - 20010 Cornaredo (MI) ITALY Via Legnano, 2 - Tel.+39.02.93544190 - Fax +39 .02. 93540347  
 C.F. e P. IVA (VAT) 03231490966 - CAPITAL . 36.000 EU - Website: [www.nenvitech.com](http://www.nenvitech.com) - E-mail: [info@nenvitech.com](mailto:info@nenvitech.com)