



TECHNICAL INFORMATION SHEET: NEMOTO NET- 3X-AC Pellistor (Acetylene) Gas Sensor Heads



Specifications:

Recommended Voltage:	2.0V +/- 0.1V
Current Drawn:	145-160 mA
Zero Offset:	0mV +/- 25mV
Minimum Sensitivity:	10mV (20%LEL C2H2/Air)
Range:	0-100% LEL
Accuracy:	+/- 5% of signal
Maximum Long Term Drift:	
Span:	< +/- 1% LEL/Month
Zero:	< +/- 0.5 mV/Month
Response Time:	T ₅₀ : 12 sec T ₉₀ : 40 sec

General Description

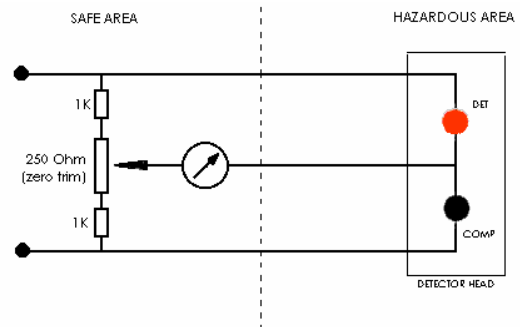
The Nemoto NET-3X-AC Pellistor Gas sensor head is a stainless steel enclosure supplied fitted with a Nemoto NP-AC twin header catalytic flammable gas sensor (pellistor). The device is optimised for the detection of Acetylene in air in the range 0-100% LEL.

Until now, the use of pellistors to monitor Acetylene levels has presented technical problems due to Acetylene's ability to poison catalytic gas sensors, resulting in short sensor lifetimes in the field. The NP-AC pellistor, however, cannot be poisoned by Acetylene, and will operate reliably in this application. The NET-3X-AC should not be used for any other purpose without first consulting N.E.T.

The NET-3X-AC is an internally threaded 2-part enclosure which may be disassembled in order to replace the internal sensor when expired.

The enclosure is fitted with an external thread at the front end to allow easy fitting of accessories. A choice of four standard rear mounting threads is available. See the drawing overleaf for details.

Recommended Circuit:



Note: The value R1 is arbitrary, since the function of R1 is to balance the bridge. 1KΩ is suggested.

Temperature Range:	-20°C to +70°C
Temperature Drift:	(-20°C to +70°C)
Zero:	< +/- 2%LEL
Humidity:	0-100%RH, non-condensing
Humidity Response (0-100%):	+/- 1%LEL
Linearity:	Effectively Linear to 50%LEL

Further details of the performance of the NP-AC Gas Sensor can be found on the its datasheet, ds-npac.doc

NE.T. srl has a policy of continuous development and improvement of its products. As such the specification for the device outlined in the data sheet may be changed without notice.

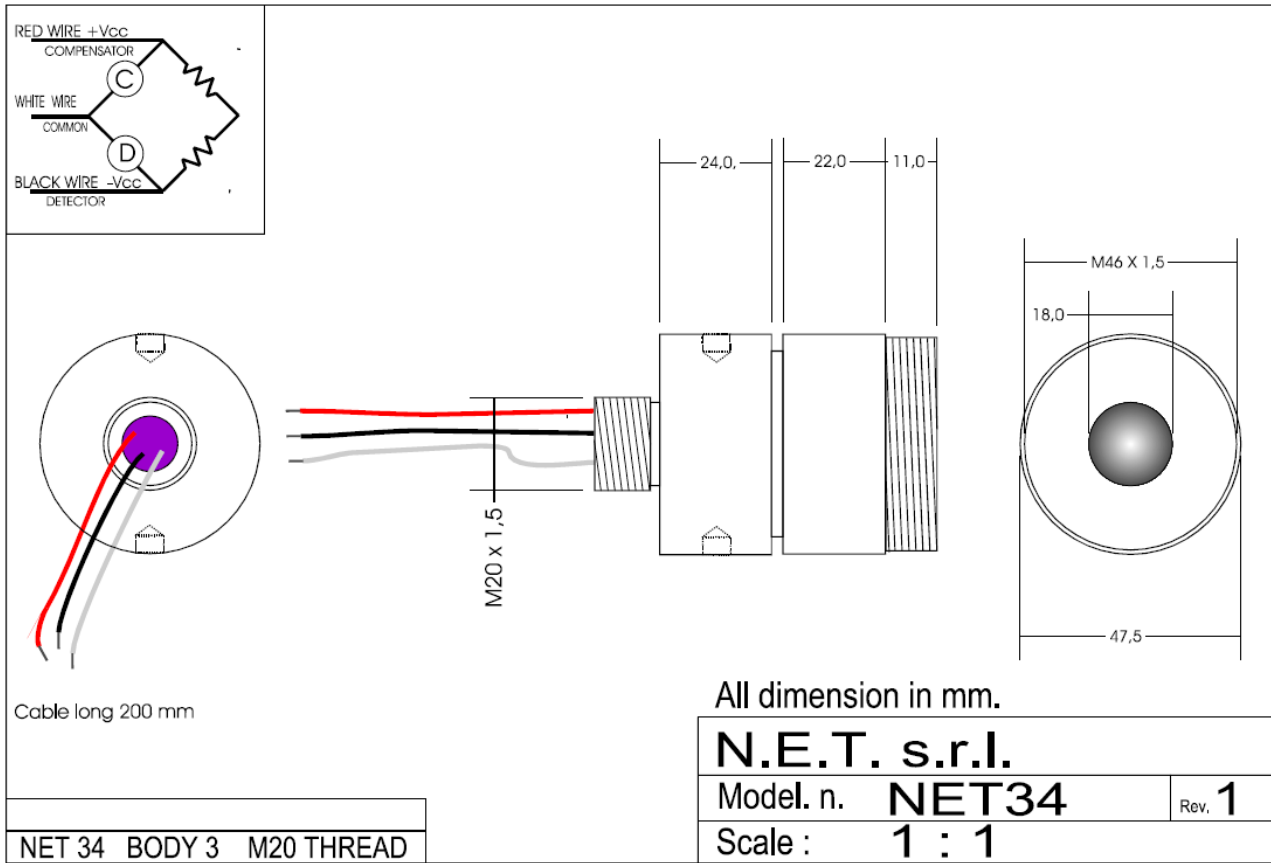


NET-3X-AC IS ATEX APPROVED:
CESI 01 ATEX 066 U

ds-net3xac.doc, issue 3, Apr 2009



Dimensions



ds-net3xac.doc, issue 3, Apr 2009